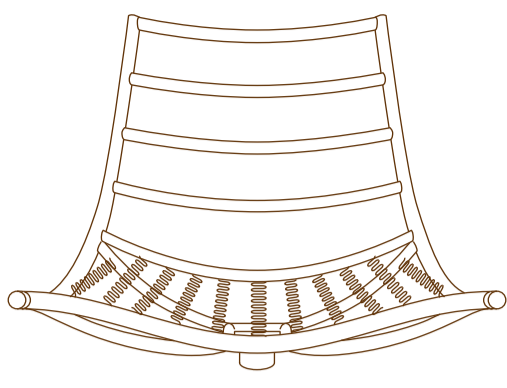


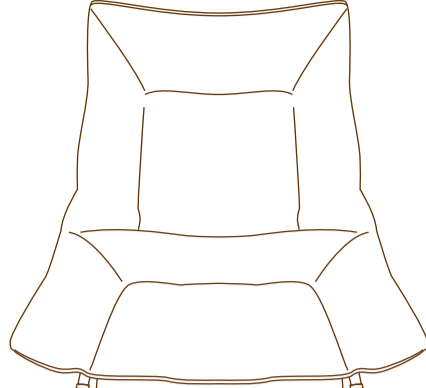
Assembly Manual

MasterChair

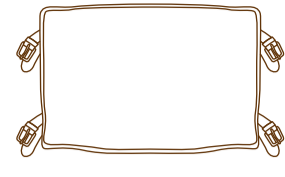
the chair reinvented



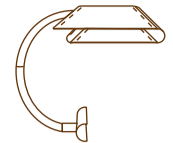
Chair Frame



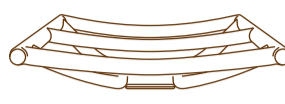
Chair Top Pillow



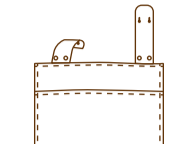
Ottoman Top Pillow



Small Table with Smart Pocket



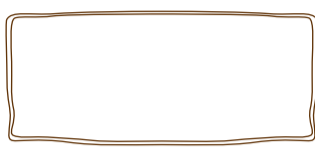
Ottoman Frame



Magazine Pocket



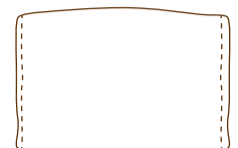
Nuts



Extra Pillow

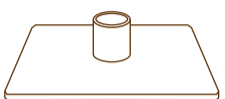


Recline Adjustment Tool



Goose Feather Refill

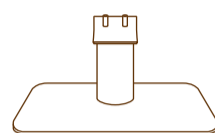
Height Adjustable Modules x 3



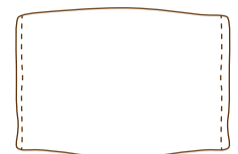
Chair Base



Protect Pad

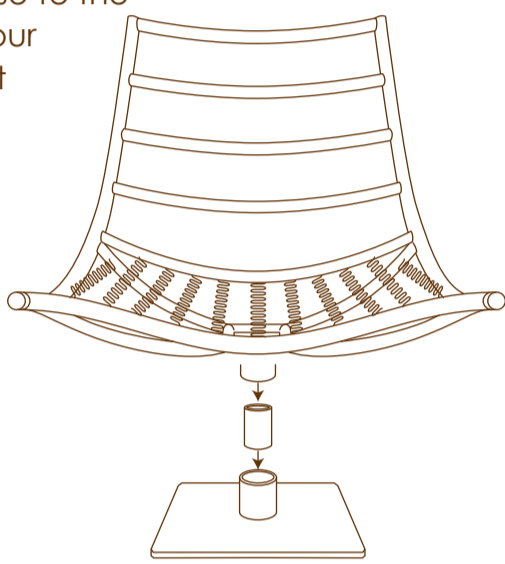


Ottoman Base

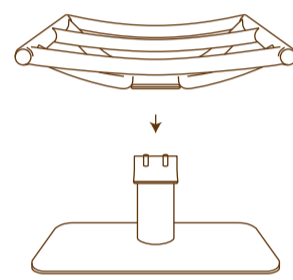


Poly Cotton Refill

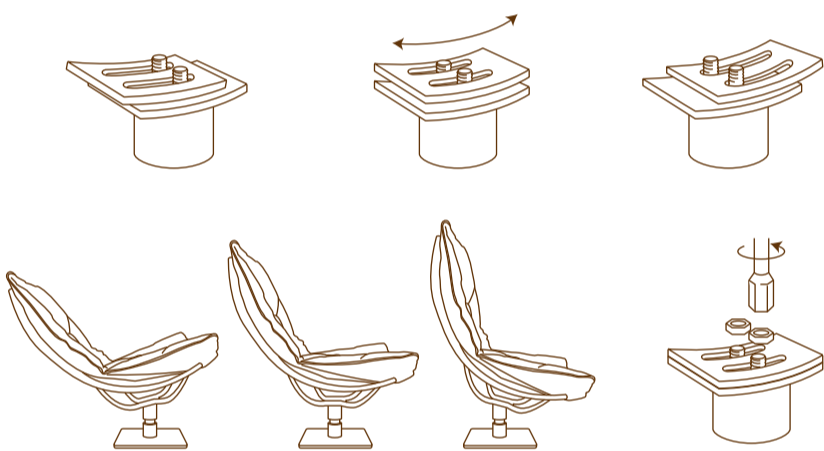
1. Connect the Chair Base to the Height Module(s) of your choice. Then, connect your Chair's Frame.



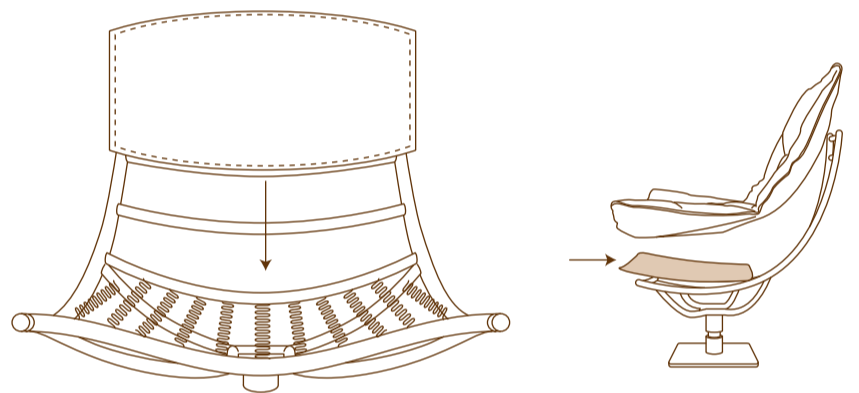
2. Connect the Ottoman Base to the Ottoman Frame.



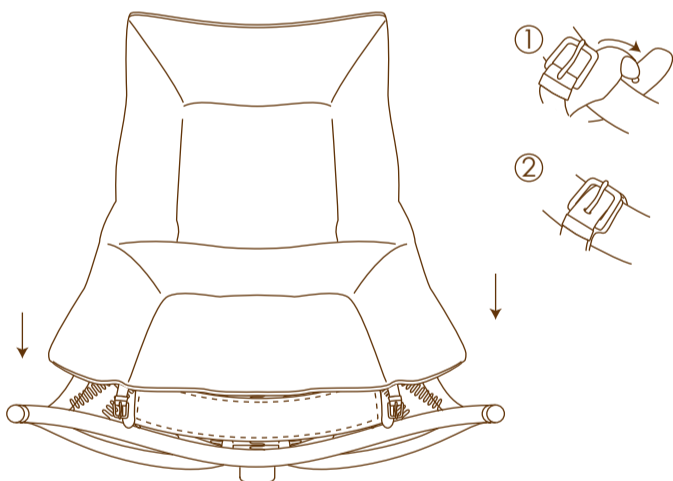
3. Use the Recline Adjustment Tool to set your desired recline position. Do this for both your chair and ottoman.



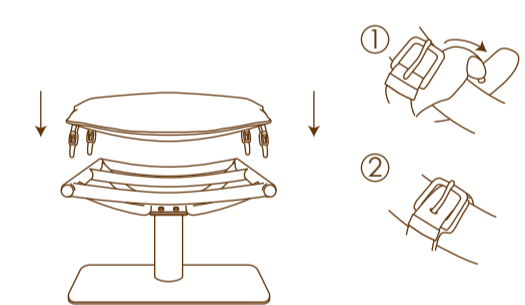
4. Place the Protect Pad in position as shown.



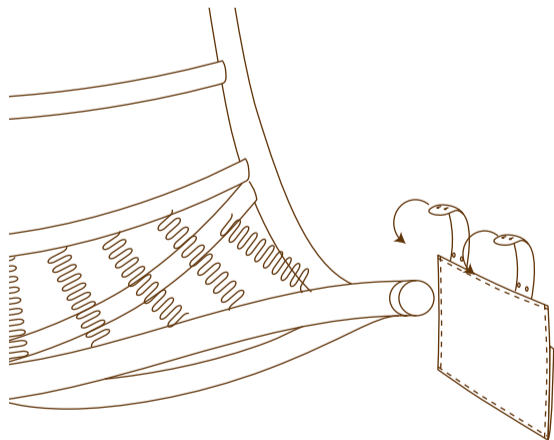
4. Connect the Chair Top Pillow to the Chair Frame as shown.



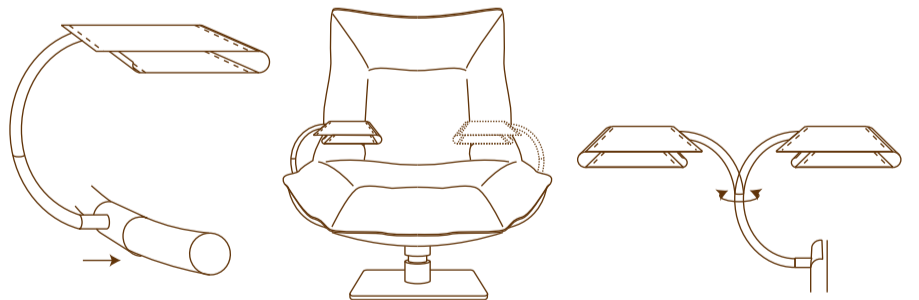
5. Connect the Ottoman Top Pillow to the Ottoman Frame as shown.



7. If desired, connect the Magazine Pocket to the side of the Chair's Frame. (Note: This can be connected to either side of your MasterChair).



8. Mount the Small Table with Smart Pocket to the Chair's Frame. (Note: This can be mounted to either side of your MasterChair).



Finished!
Enjoy the MasterChair Experience!

